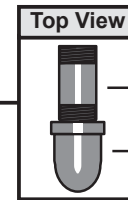
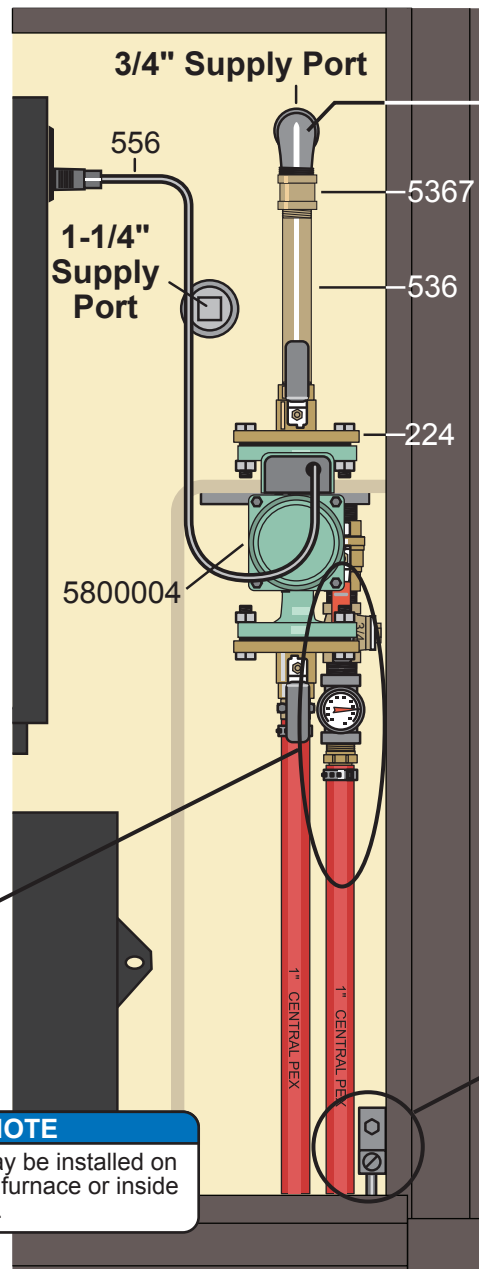


E-Classic 1450 with 1 Pump Installed

1 - Pump Parts List**		
For 3/4" (1" PEX) system.		
Qty	p/n	Description
3	118	Close Nipple, 3/4"
1	133	Tee NPT, 3/4"
1	180	Bushing, 3/4" x 1/8"
1	198*	Ball Valve, 3/4"
1	224	Isolation Flange, 3/4"
1	274*	90° Street Elbow, 3/4"
1	296	Swing Check Valve, 3/4"
1	536	Brass Nipple, 3/4" x 7"
1	556	Power Supply Cord, 32"
2	1330	MPT to PEX, 3/4" x 1"
1	5367	3/4" Brass Coupling
2	5926	Stainless Steel Clamp Crimp Ring, 1"
1	6054	Temperature Gauge
1	6593	Grounding Rod Kit
1	5800004	007 Pump
1	5000018*	Nipple, 3/4" x 3"

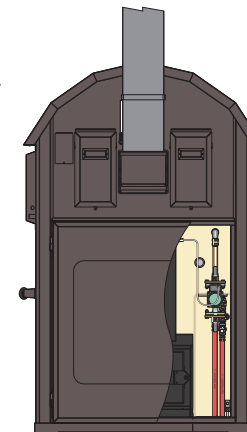
* Supplied on furnace.

** Parts and accessories sold separately. Pump size may vary.

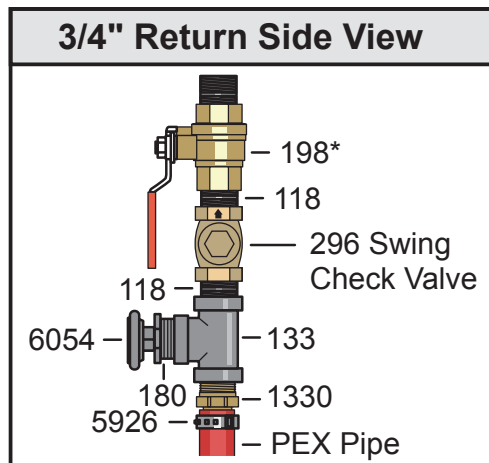


5000018*

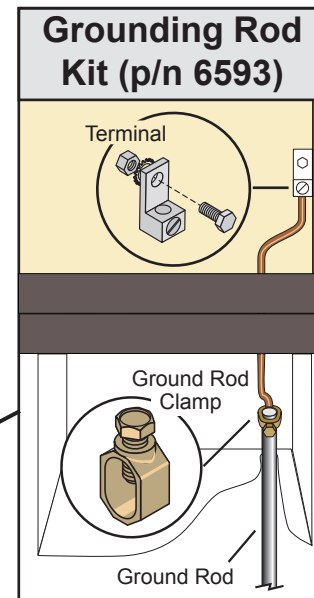
274*



Area of Focus



NOTE
Pump(s) may be installed on the outdoor furnace or inside the building.



NOTE
Grounding Rod Kit (p/n 6593) must be installed with every furnace.

For illustration purpose only.

