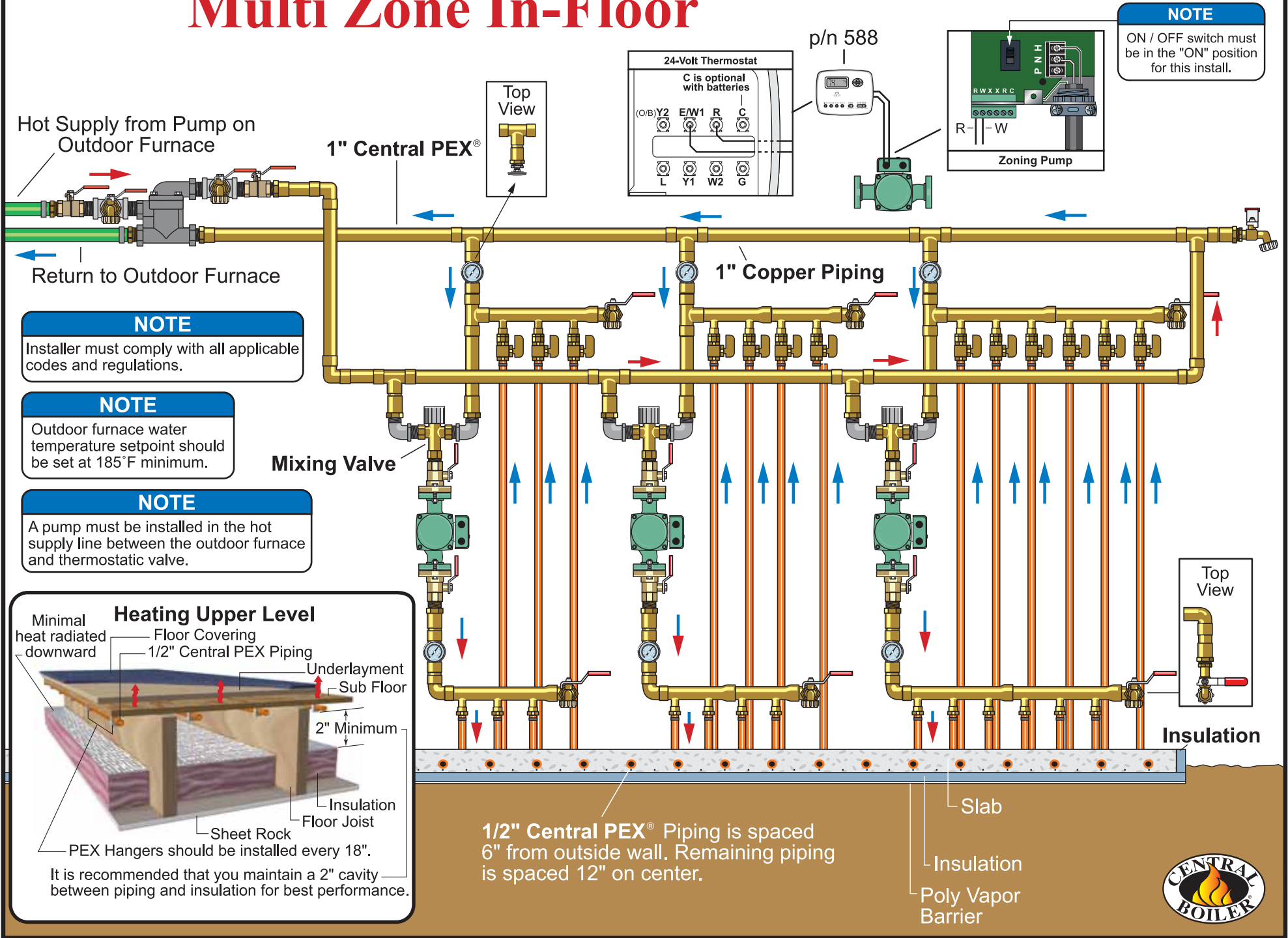


# Multi Zone In-Floor



**NOTE**  
ON / OFF switch must be in the "ON" position for this install.

**NOTE**  
Installer must comply with all applicable codes and regulations.

**NOTE**  
Outdoor furnace water temperature setpoint should be set at 185°F minimum.

**NOTE**  
A pump must be installed in the hot supply line between the outdoor furnace and thermostatic valve.

**Heating Upper Level**

Minimal heat radiated downward

Floor Covering

1/2" Central PEX Piping

Underlayment

Sub Floor

2" Minimum

Insulation

Floor Joist

Sheet Rock

PEX Hangers should be installed every 18".

It is recommended that you maintain a 2" cavity between piping and insulation for best performance.

1/2" Central PEX® Piping is spaced 6" from outside wall. Remaining piping is spaced 12" on center.

