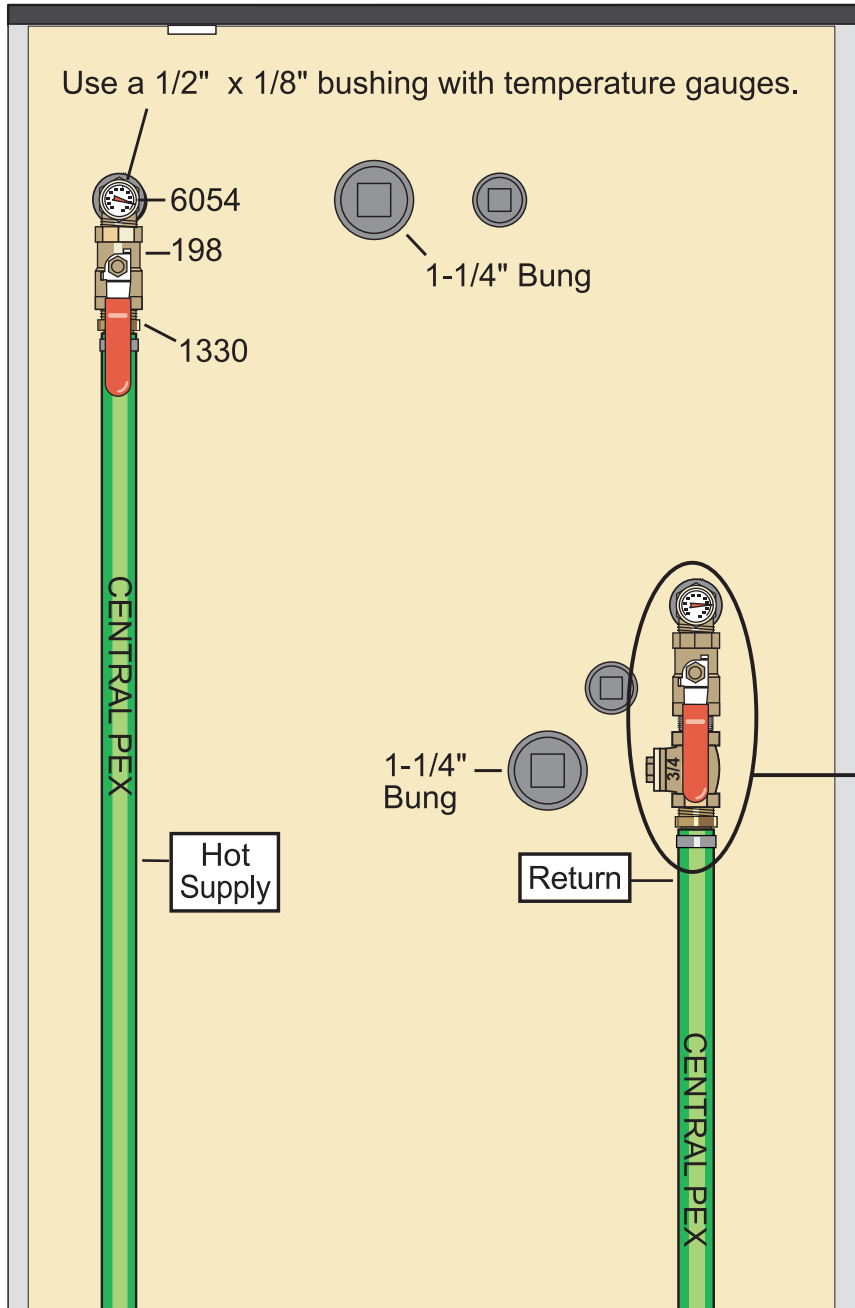
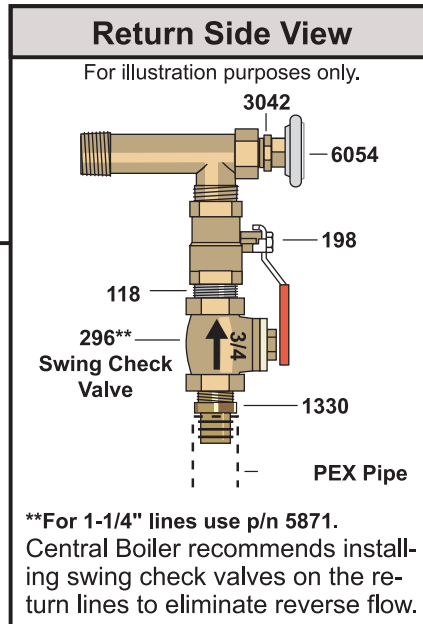


CL 6048 with Pump Installed in Building



Parts List*		
Qty	p/n	Description
1	118	3/4" Close Nipple
2	198	3/4" Ball Valve
1	296	3/4" Swing Check Valve
2	1330	3/4" x 1" MPT to PEX
2	3042	1/2" x 1/8" Bushing
2	6054	Temperature Gauge
1	6593	Grounding Rod Kit

*Parts and accessories sold separately.



**For 1-1/4" lines use p/n 5871.
Central Boiler recommends installing swing check valves on the return lines to eliminate reverse flow.

