

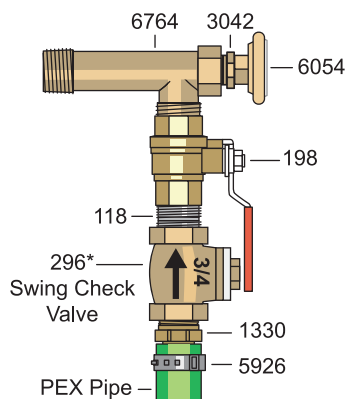
E-Classic 2400 with 3 Pumps Installed

3 - Pump Parts List**

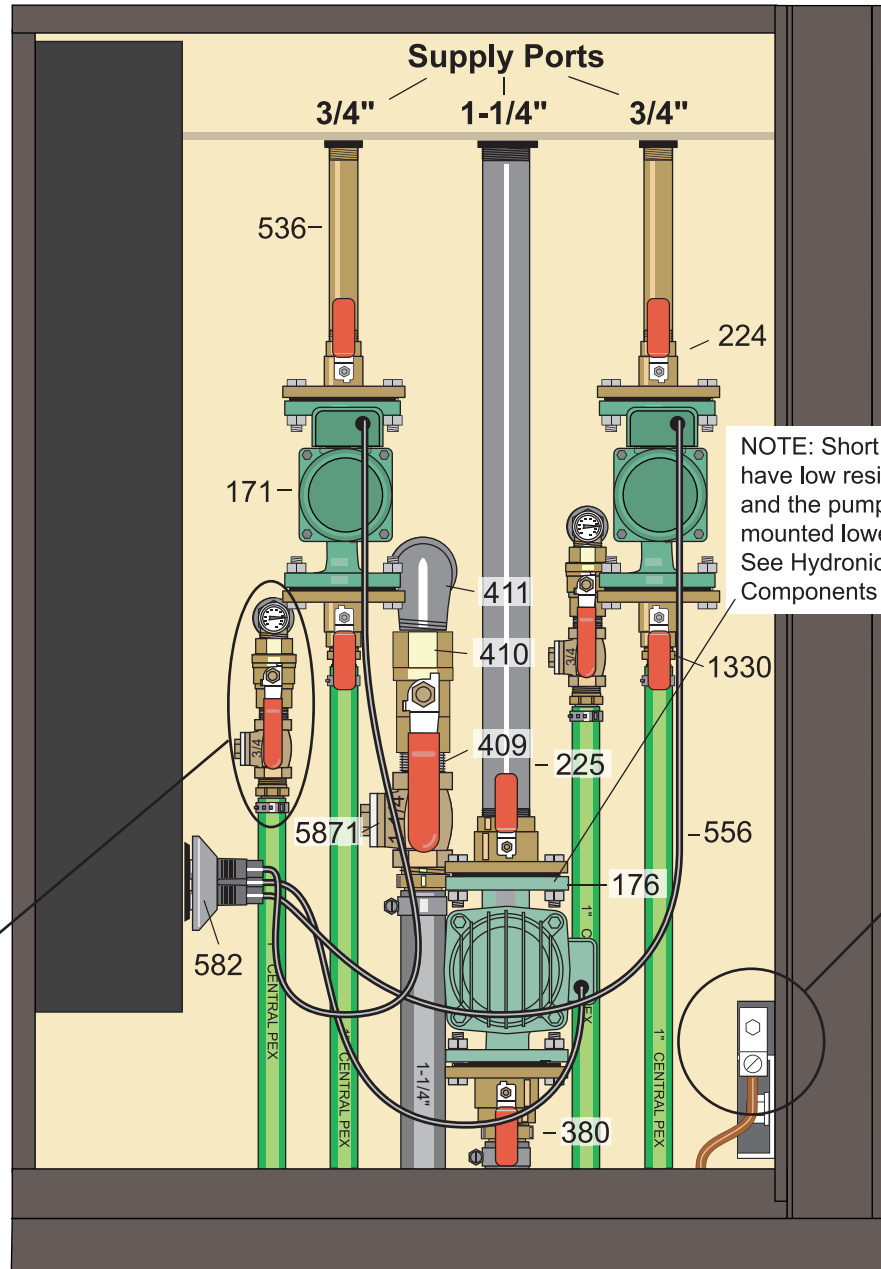
Qty	p/n	Description
2	118	Close Nipple, 3/4"
2	171	007 Pump
1	176	014 Pump
2	198	Ball Valve, 3/4"
2	224	Isolation Flange Kits, 3/4"
1	225	Isolation Flange Kits, 1-1/4"
2	296	Swing Check Valve, 3/4"
2	380	MPT to PEX, 1-1/4"
1	409	Close Nipple, 1-1/4"
1	410	Ball Valve, 1-1/4"
1	411	Black Street Elbow, 1-1/4"
2	536	Brass Nipple, 3/4" x 7"
3	556	Power Supply Cord, 32"
1	582	6 Outlet Converter
4	1330	MPT to PEX, 3/4" x 1"
2	3042	Bushing, 1/2" x 1/8"
1	5871	Swing Check Valve, 1-1/4"
4	5926	Stainless Steel Clamp
		Crimp Ring, 1"
2	6054	Temperature Gauge
2	6764	Offset Tee, 3/4" x 3/4" x 1/2"
1	6593	Grounding Rod Kit

**Parts and accessories sold separately.
Pump size may vary.

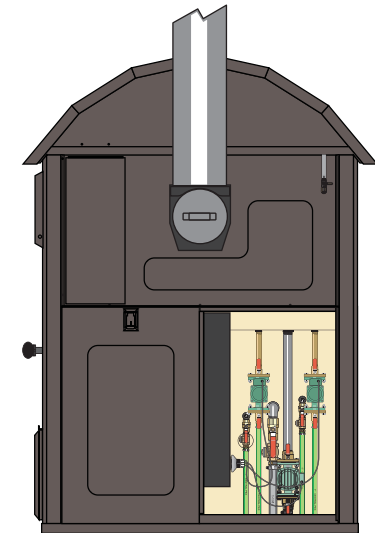
Return Side View



*For 1-1/4" lines use p/n 5871.
Central Boiler recommends installing swing check valves on the return lines to eliminate reverse flow.

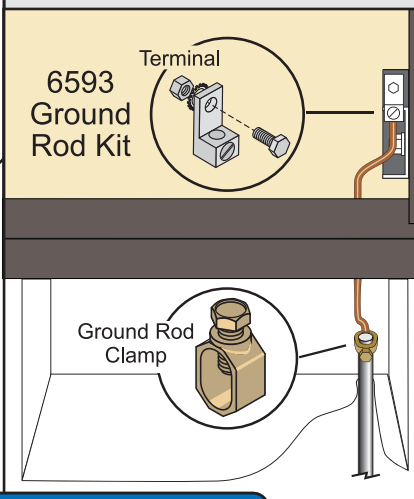


NOTE: Short loops have low resistance and the pump must be mounted lower. See Hydronic Heating Components Guide.



Area of Focus

Ground Rod Kit Install



NOTE

Grounding Rod Kit (p/n 6593) must be installed with every furnace.



For illustration purposes only.