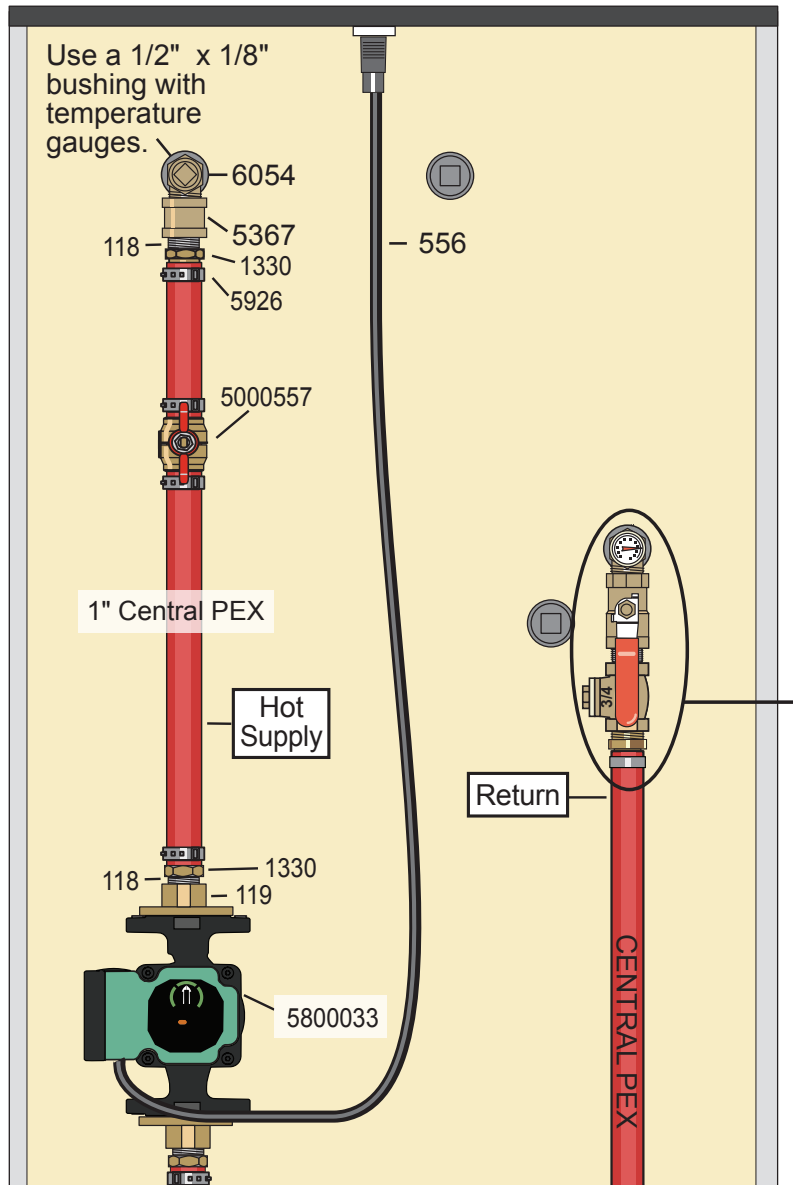
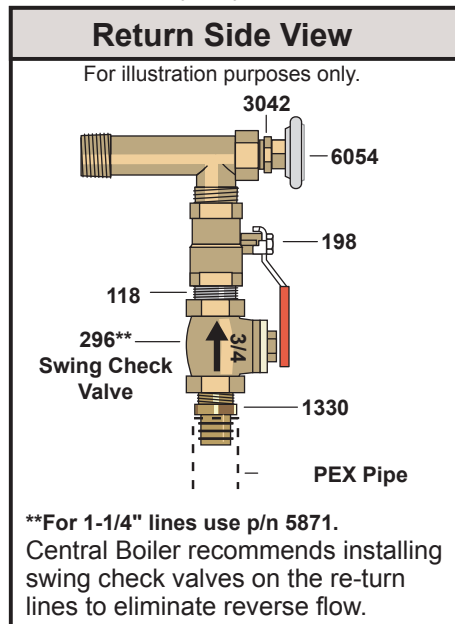


CL 6048 with 1 Pump Installed

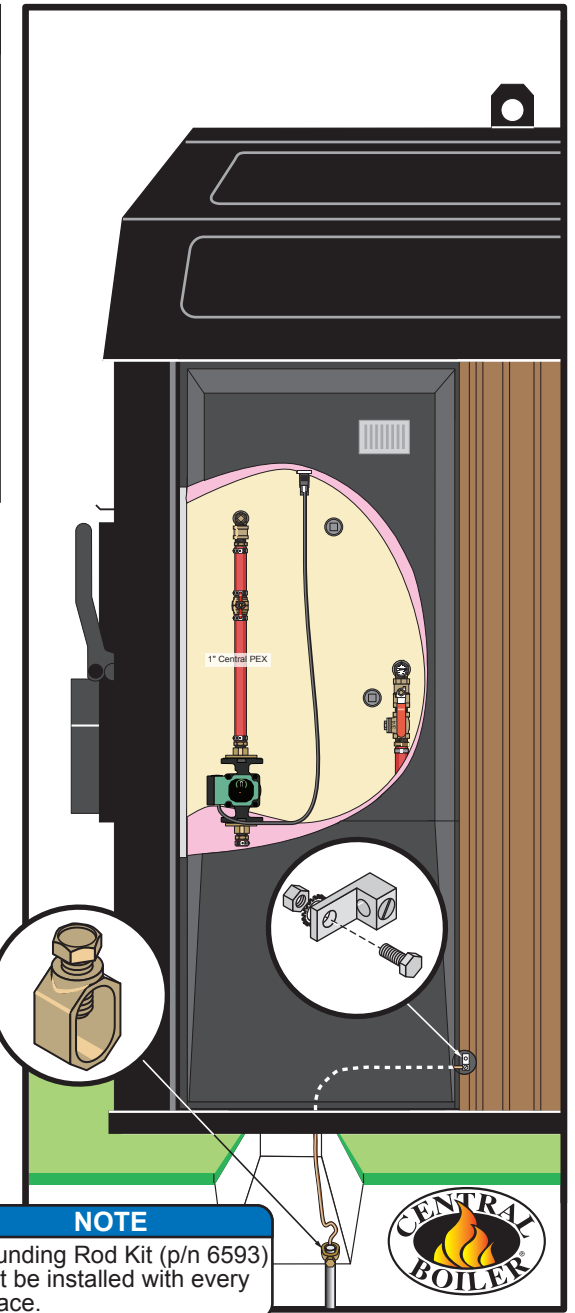


Parts List*		
Qty	p/n	Description
1	118	3/4" Close Nipple
2	198	3/4" Ball Valve
1	119	Pump Flange Kit, 3/4"
1	296	3/4" Swing Check Valve
2	1330	MPT to PEX, 3/4" x 1"
1	556	Power Supply Cord, 32"
4	5926	Clamp Crimp Ring, 1"
2	3042	1/2" x 1/8" Bushing
1	5367	3/4" Brass Coupling
2	6054	Temperature Gauge
1	5000557	Ball Valve, 1" PEX
1	6593	Grounding Rod Kit
1	5800033	0015e3 Pump

*Parts and accessories sold separately. Pump size may vary.



**For 1-1/4" lines use p/n 5871.
Central Boiler recommends installing swing check valves on the re-turn lines to eliminate reverse flow.



For illustration purposes only. Different configurations may be used. However, it is recommended to mount the pumps as low as possible to lessen cavitation and pump problems.