

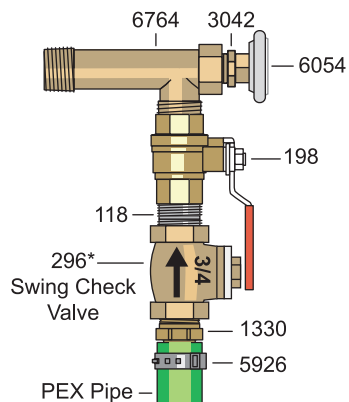
E-Classic 2400 with 1 Pump Installed

Pump Parts List

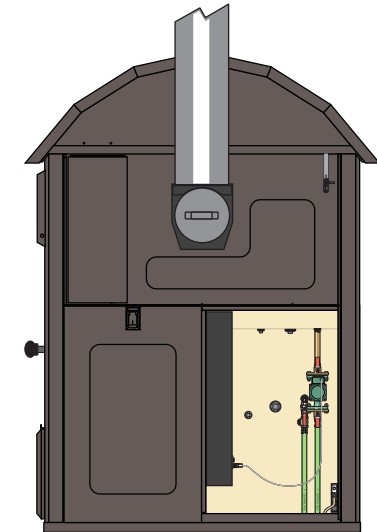
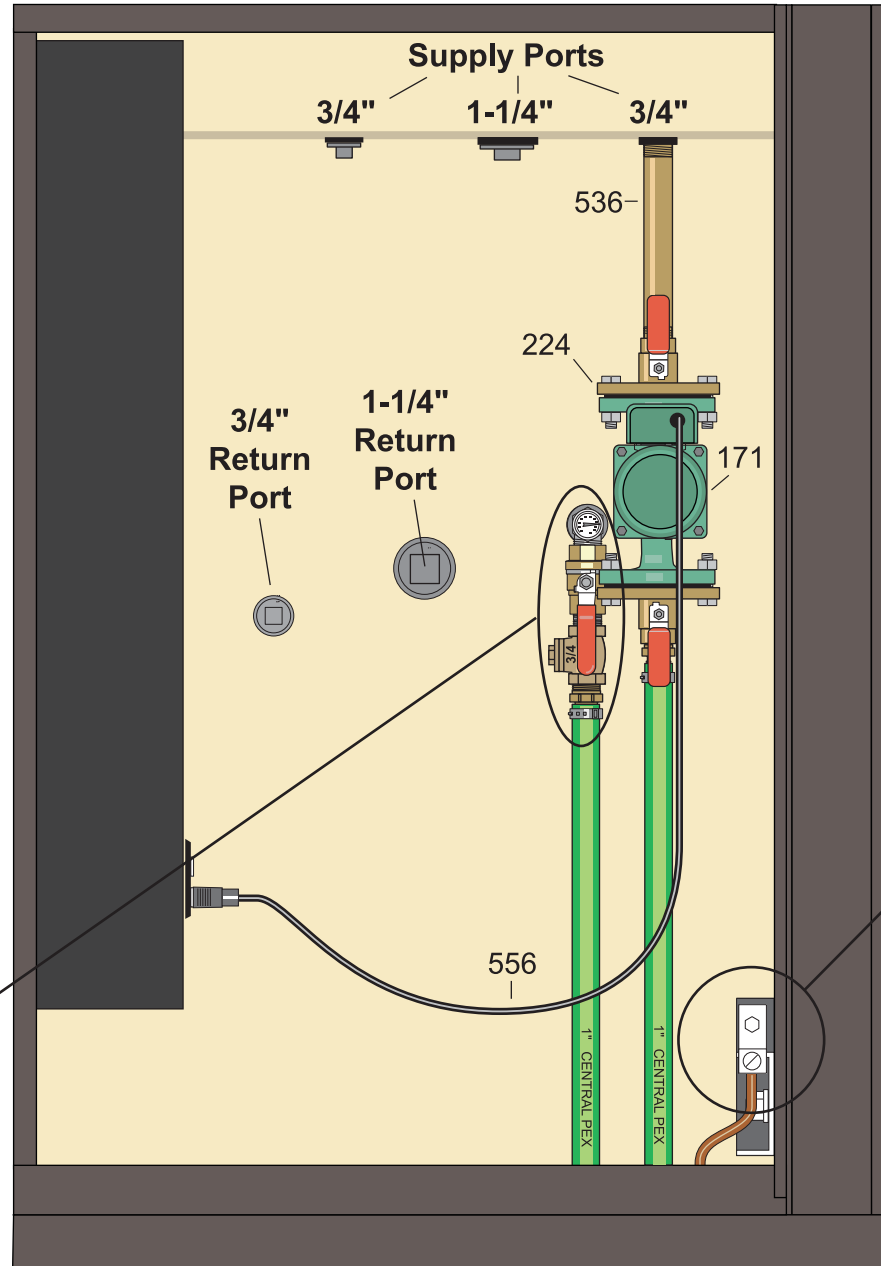
Qty	p/n	Description
1	118	3/4" Close Nipple
1	171	007 Pump
1	198	3/4" Ball Valve
1	224	3/4" Isolation Flange Kits
1	296	3/4" Swing Check Valve
1	536	3/4" x 7" Brass Nipple
1	556	Power Supply Cord, 32"
2	1330	3/4" x 1" MPT to PEX
1	3042	1/2" x 1/8" Bushing
2	5926	1" Stainless Steel Clamp Crimp Ring
1	6054	Temperature Gauge
1	6764	3/4" x 3/4" x 1/2" Offset Tee
1	6593	Grounding Rod Kit

Parts and accessories sold separately.
Pump size may vary.

Return Side View

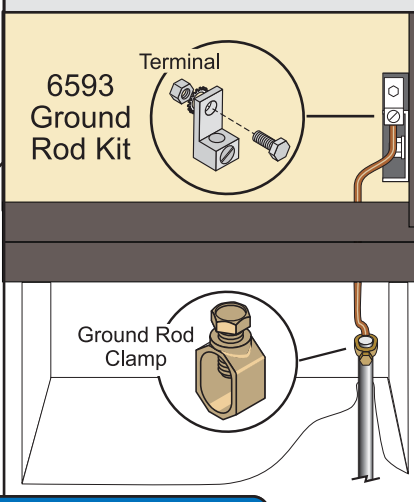


*For 1-1/4" lines use p/n 5871.
Central Boiler recommends installing swing check valves on the return lines to eliminate reverse flow.



Area of Focus

Ground Rod Kit Install



NOTE

Grounding Rod Kit (p/n 6593) must be installed with every furnace.



For illustration purposes only.