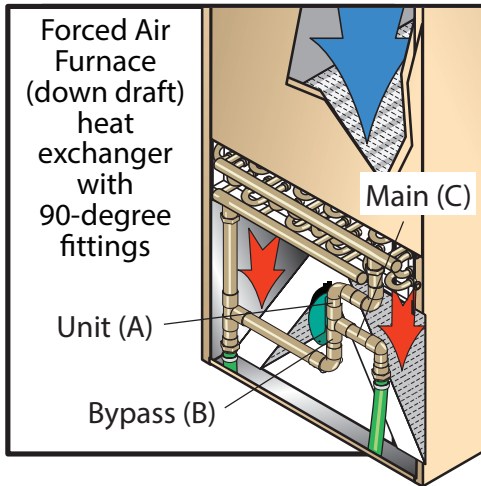
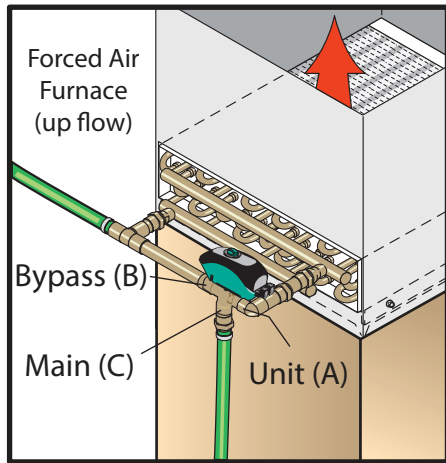
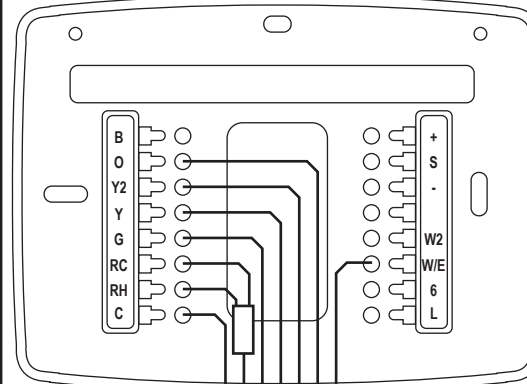


Three Stage with Heat Pump

Stage One (Outdoor Furnace), Stage Two (Heat Pump) and Stage Three (LP Gas, Natural Gas, Oil or Electric Furnace)



24-V Multi-stage Thermostat (p/n 587)



NOTE

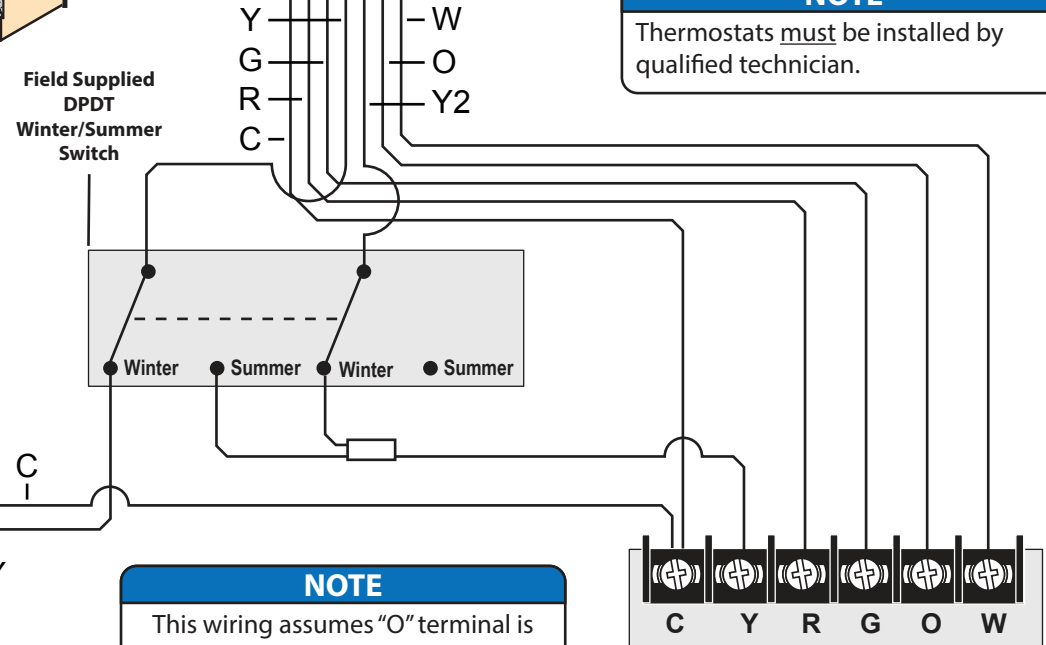
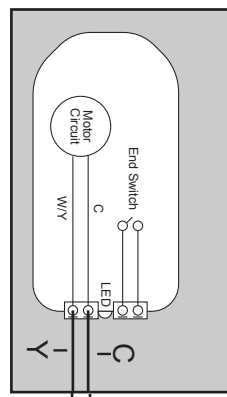
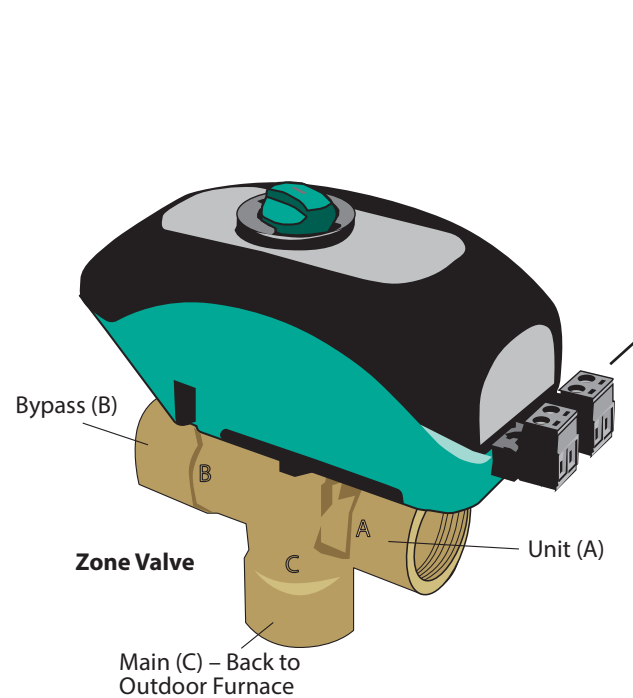
See thermostat manual for setup changes. The following items must be changed:

MENU 1. HP2 - Allows 3 stage operation.

MENU 2. ELE - Thermostat turns fan ON during call for heat.

NOTE

Thermostats must be installed by qualified technician.



NOTE

This wiring assumes "O" terminal is energized during cooling mode.

For illustration purposes only:
• Location of thermostat may vary.

