

Classic Edge 760 with 3 Pumps Installed

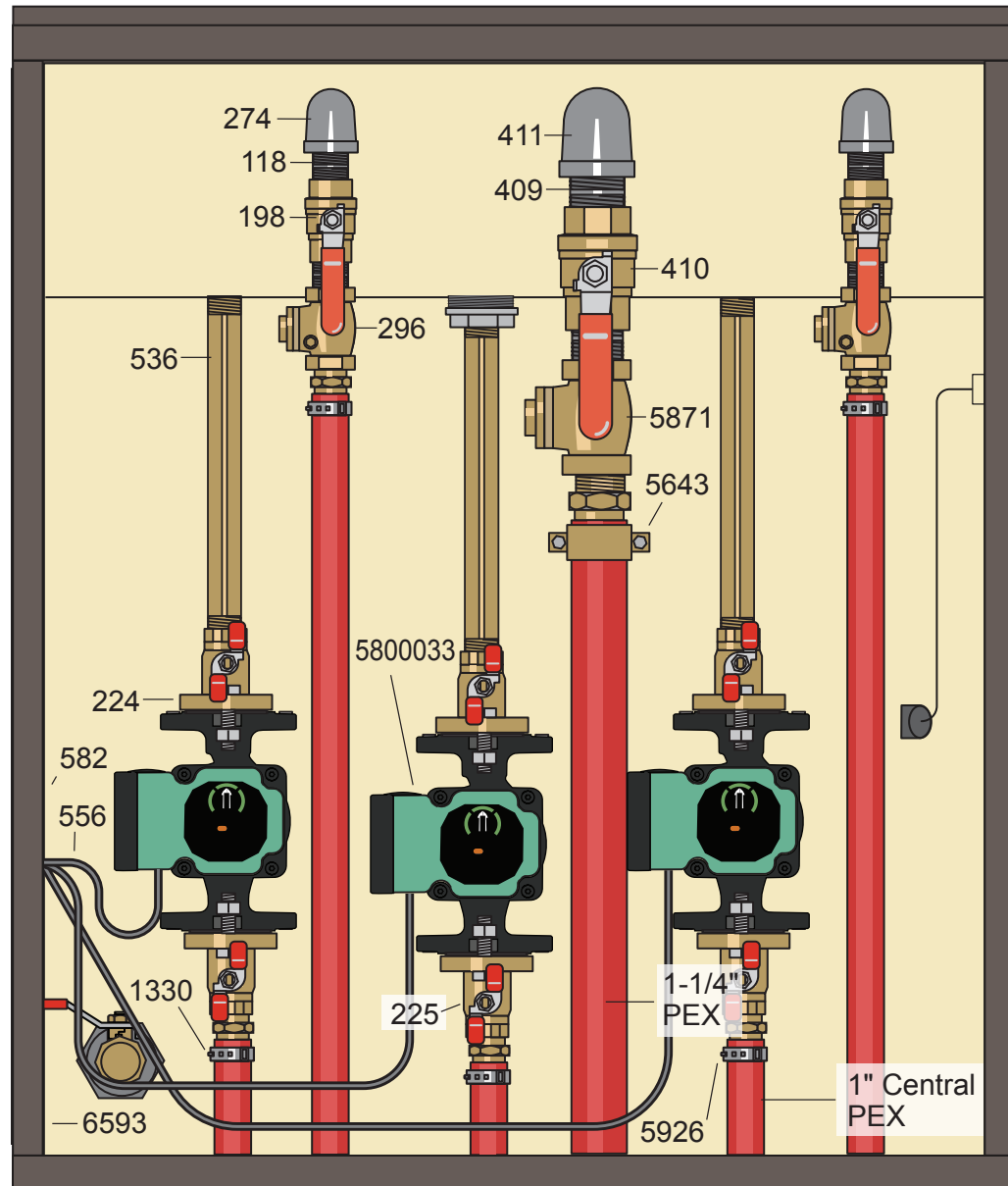
3 - Pump Parts List*

Qty	p/n	Description
2	118	Close Nipple, 3/4"
2	198	Ball Valve, 3/4"
2	224	Isolation Flange Kits, 3/4"
1	225	Isolation Flange Kits, 1-1/4"
2	274	90° Street Elbow, 3/4"
2	296	Swing Check Valve, 3/4"
2	409	Close Nipple, 1-1/4"
1	410	Ball Valve, 1-1/4"
1	411	90° Street Elbow, 1-1/4"
3	536	Nipple, 3/4" x 7"
3	556	Power Supply Cord, 32"
1	582	6 Outlet Converter
4	1330	MPT to PEX, 3/4" x 1"
2	5643	Brass Clamp, 1-1/4"
1	5871	Swing Check Valve, 1-1/4"
4	5926	Stainless Steel Clamp Crimp Ring, 1"
1	6593	Grounding Rod Kit
3	5800033	0015e3 Pump

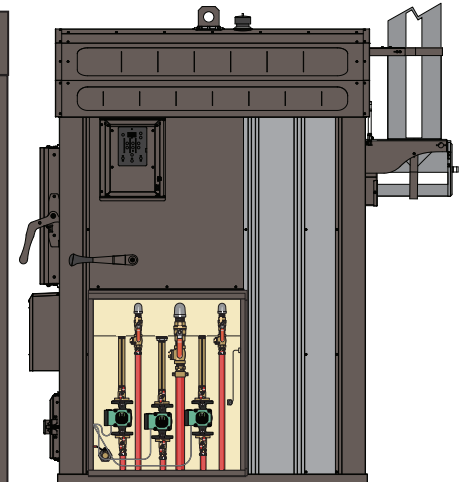
*Parts and accessories sold separately.
Pump size may vary.

NOTE

Grounding Rod Kit (p/n 6593) must be installed with every furnace.



For illustration purposes only.



Area of Focus

Ground Rod Kit Install

