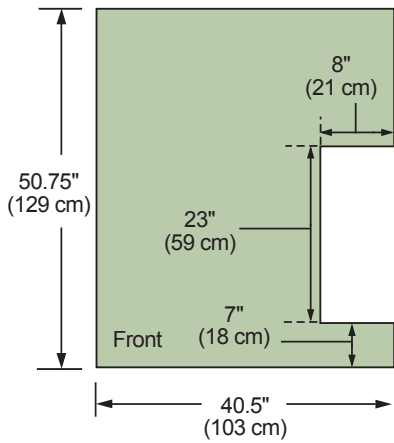
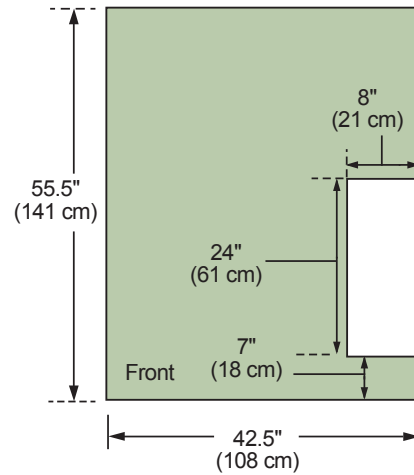


Classic Edge Furnace Base and Dimensions

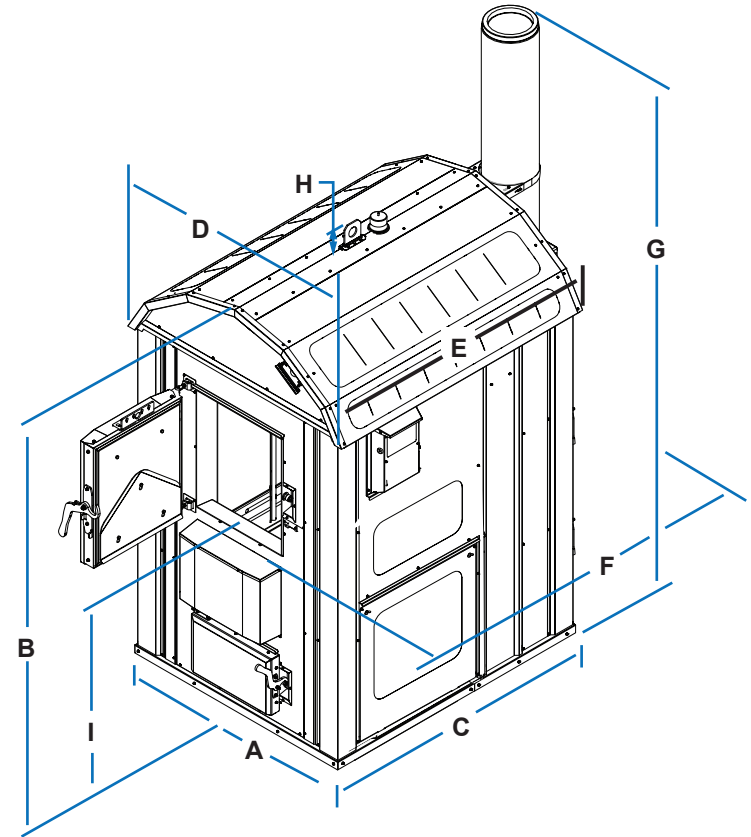
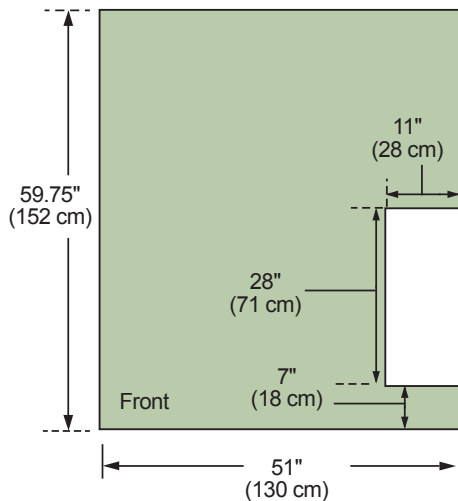
Classic Edge 360
(Foundation Optional)



Classic Edge 560
(Foundation Optional)



Classic Edge 760
(Foundation Optional)



Classic Edge Measurements

	A	B	C	D	E	F	G	H	I
Classic Edge 360	40.5"	72"	50.75"	43"	51.5"	69"	150"	5"	38"
Classic Edge 560	42.5"	76"	55.5"	45"	56"	73.5"	151"	5"	37.5"
Classic Edge 760	51"	84.75"	59.75"	53.5"	60.5"	79"	164"	5"	39"

- Measurement (F) is from firebox door to chimney inspection cover.
- Measurement (G) includes two 4 ft. chimney sections.

CAUTION

Do not use any combustible materials for the foundation.

Outdoor furnace must be installed on a noncombustible surface or foundation that incorporates an enclosure that will prevent supply and return lines from possible exposure to sunlight, fire, or physical damage that may be caused by an occurrence outside the outdoor furnace enclosure. Foundation may consist of concrete, crushed rock, or patio blocks.

