

Classic Edge 760/960 with 3 Pumps Installed

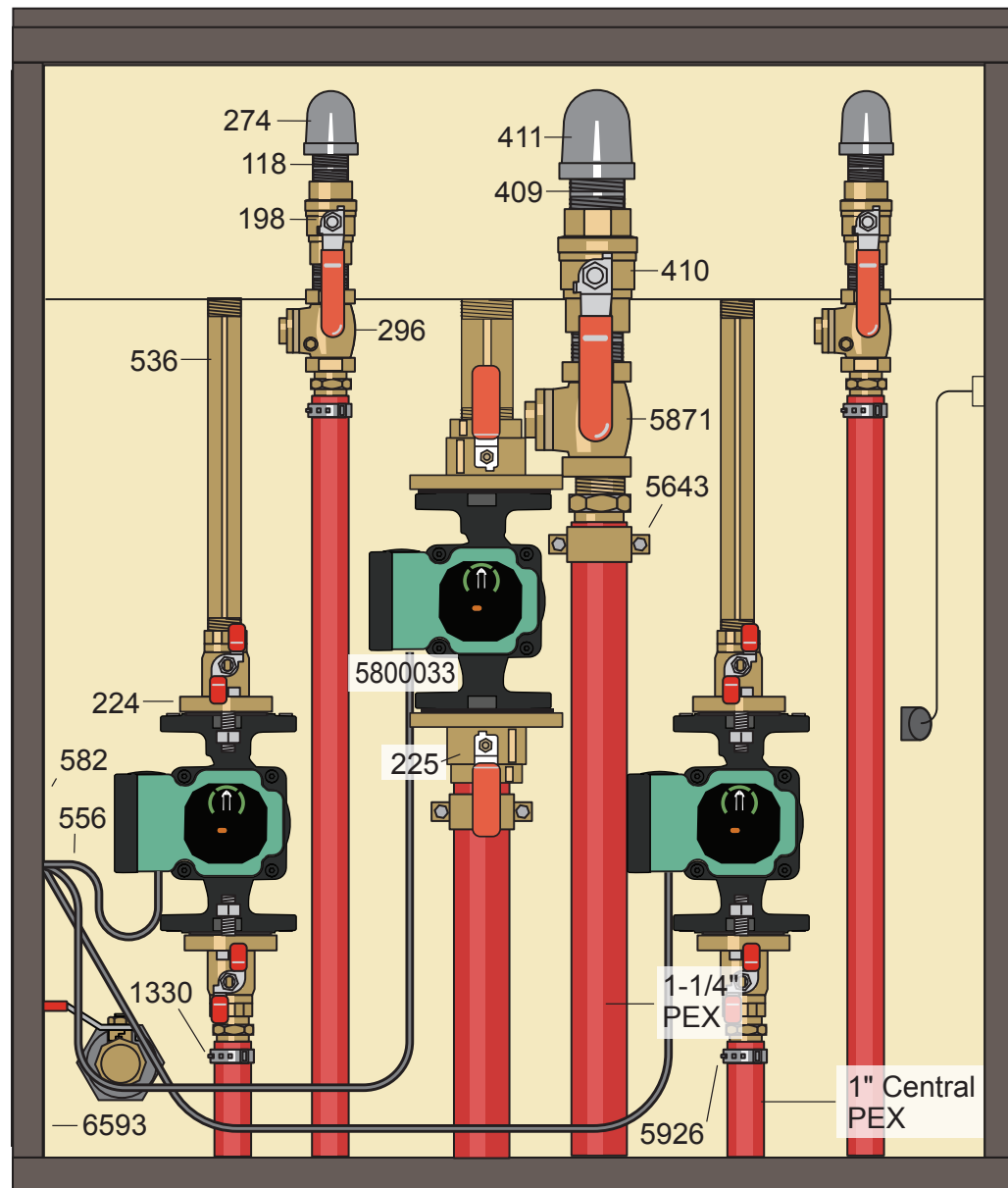
3 - Pump Parts List*

| Qty | p/n | Description |
|-----|---------|--------------------------------------|
| 2 | 118 | Close Nipple, 3/4" |
| 2 | 198 | Ball Valve, 3/4" |
| 2 | 224 | Isolation Flange Kits, 3/4" |
| 1 | 225 | Isolation Flange Kits, 1-1/4" |
| 2 | 274 | 90° Street Elbow, 3/4" |
| 2 | 296 | Swing Check Valve, 3/4" |
| 2 | 409 | Close Nipple, 1-1/4" |
| 1 | 410 | Ball Valve, 1-1/4" |
| 1 | 411 | 90° Street Elbow, 1-1/4" |
| 3 | 536 | Nipple, 3/4" x 7" |
| 3 | 556 | Power Supply Cord, 32" |
| 1 | 582 | 6 Outlet Converter |
| 4 | 1330 | MPT to PEX, 3/4" x 1" |
| 2 | 5643 | Brass Clamp, 1-1/4" |
| 1 | 5871 | Swing Check Valve, 1-1/4" |
| 4 | 5926 | Stainless Steel Clamp Crimp Ring, 1" |
| 1 | 6593 | Grounding Rod Kit |
| 1 | 5000015 | Nipple, 1-1/4" x 2-1/2" |
| 3 | 5800033 | 0015e3 Pump |

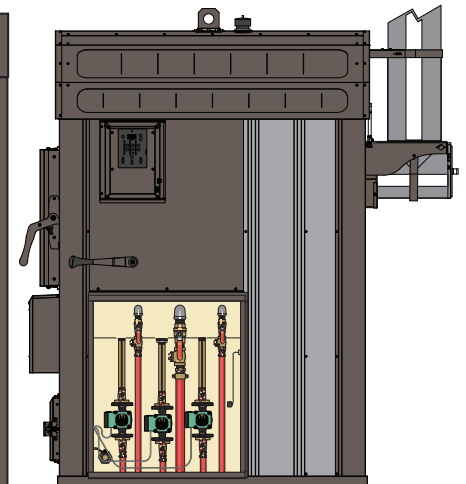
*Parts and accessories sold separately.
Pump size may vary.

NOTE

Grounding Rod Kit (p/n 6593) must be installed with every furnace.



For illustration purposes only.



Area of Focus

Ground Rod Kit Install

