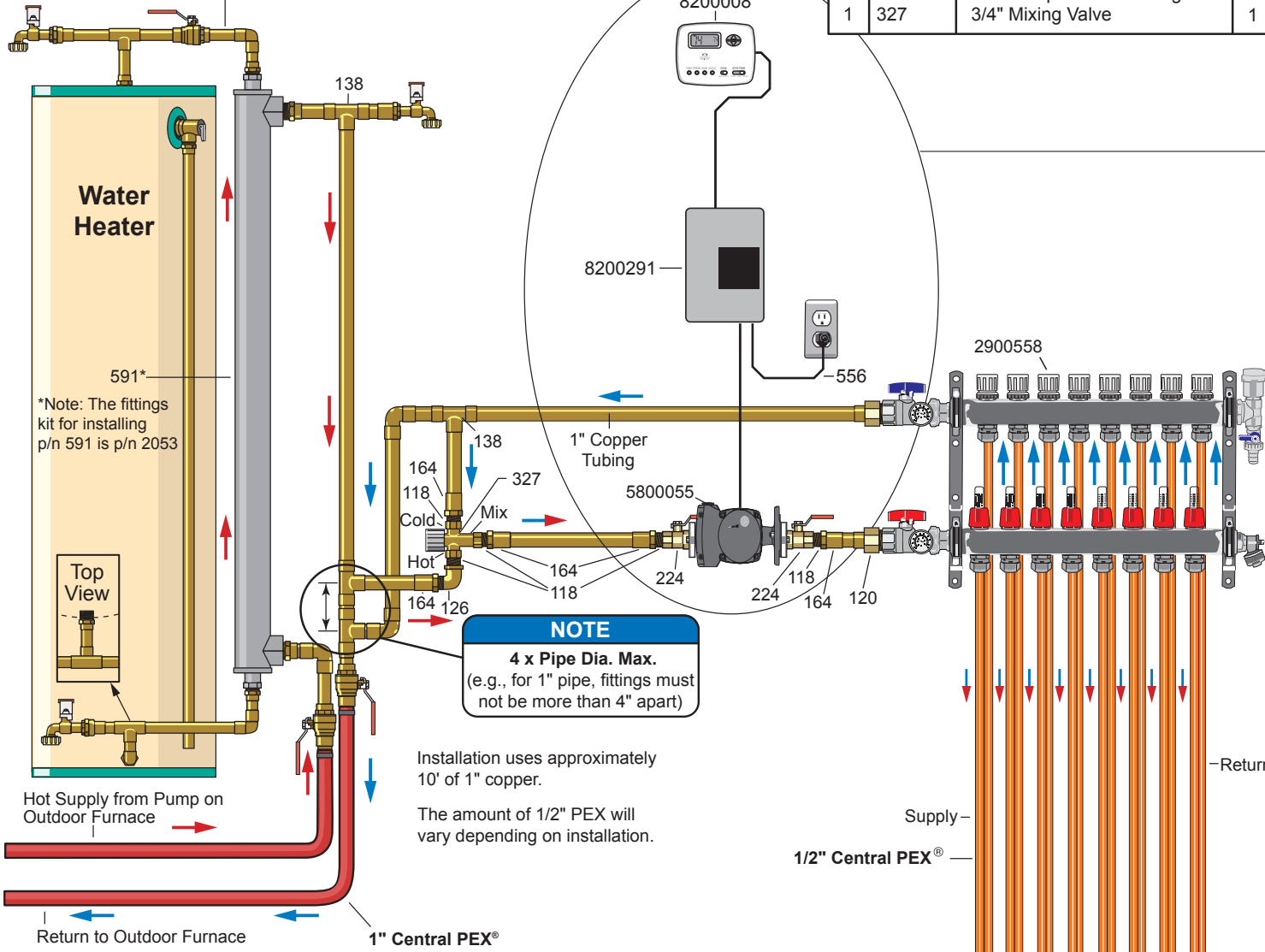


Radiant Heat Single Zone Switching Relay

NOTE
 Installer must comply with all applicable codes and regulations.

This horizontal assembly must not exceed a height of 4 inches above top of water heater.

| Qty | p/n | Description | Qty | p/n | Description |
|-----|-----|--------------------------------|-----|---------|--------------------------------|
| 1 | 103 | 90°, 1" Street Elbow | 1 | 556 | Power Supply Cord, 32" |
| 5 | 118 | 3/4" Close Nipple | 1 | 591 | Water-to-Water Heat Exchanger |
| 2 | 120 | 1" sweat x 1" MPT fitting | 2 | 1329 | Three Branch Valved Manifold |
| 1 | 126 | 90°, Brass, 3/4" Street Elbow | 2 | 1331 | 1" x 1", Sweat to PEX Adapter |
| 5 | 138 | 1" Sweat Tee | 1 | 2053 | W-to-W Heat Exchr Fittings Kit |
| 7 | 164 | 3/4" FIP to 1" Sweat Adapter | 1 | 2900558 | Manifold Kit, 8-Loop |
| 1 | 199 | 3/4" Ball Drain Valve | 1 | 5800055 | Grundfos UPMS 20-58 F Pump |
| 1 | 224 | 3/4" Pump Isolation Flange Kit | 1 | 8200291 | Switching Relay |
| 1 | 327 | 3/4" Mixing Valve | 1 | 8200008 | 24-V Wall Thermostat |



*Note: The fittings kit for installing p/n 591 is p/n 2053

NOTE
 4 x Pipe Dia. Max.
 (e.g., for 1" pipe, fittings must not be more than 4" apart)

Installation uses approximately 10' of 1" copper.

The amount of 1/2" PEX will vary depending on installation.

