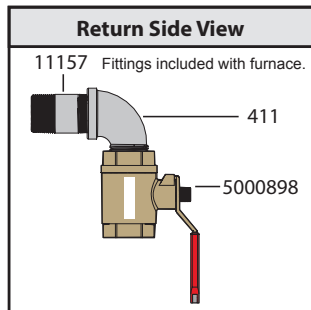
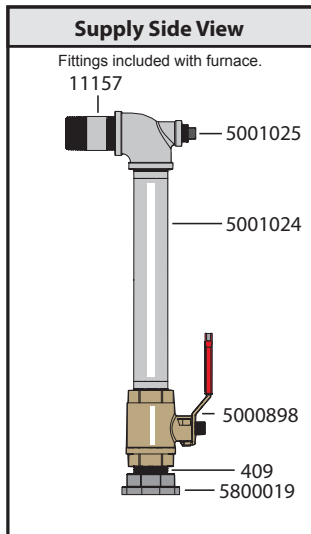
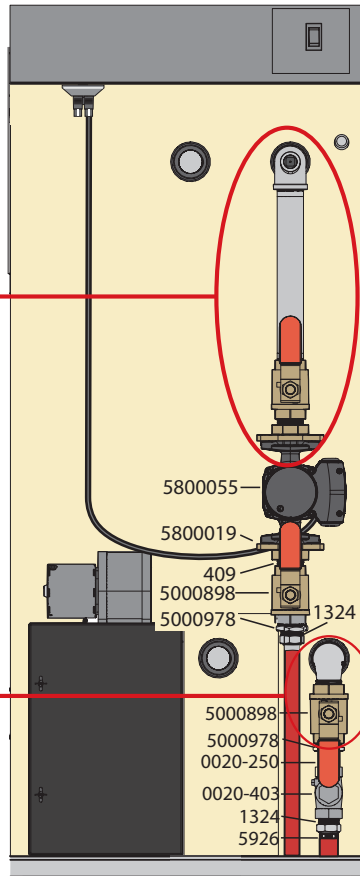


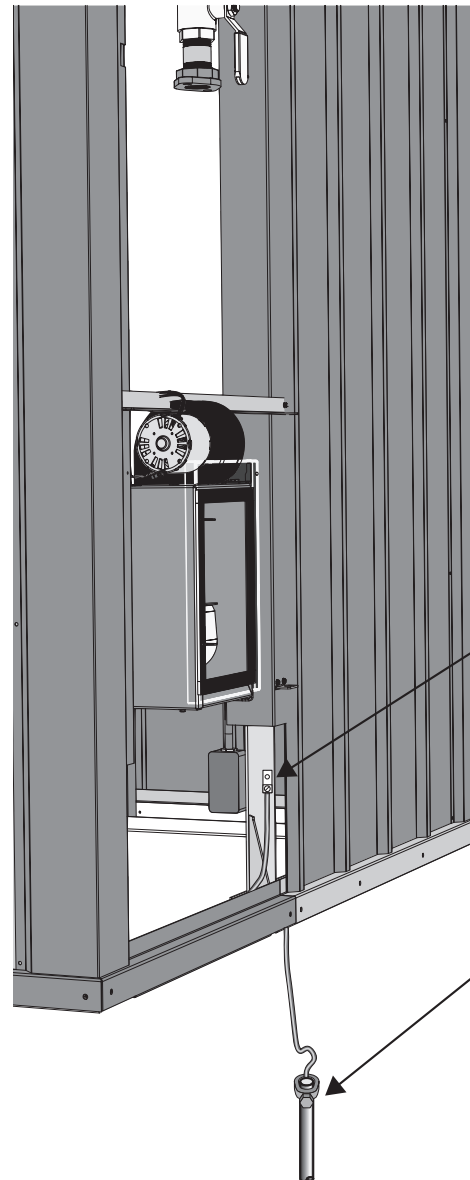
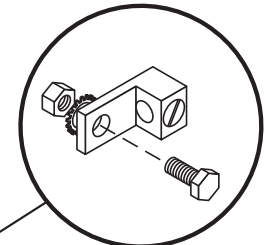
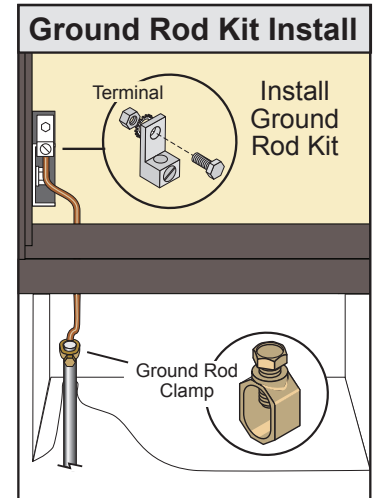
# Classic X 5036/XC 5036 with 1 Pump Installed



For illustration purposes only.



**NOTE**  
Grounding Rod Kit (p/n 6593) must be installed with every furnace.



1 - Pump Parts List*		
Qty	p/n	Description
1	5800055	Circulator Pump, 20-58
1	5800019	Pump Flange Kit, 1-1/4"
1	409	Nipple, 1-1/4" x Close
1	5000898	Ball Valve, Brass, 1-1/4"
2	1324	PEX Adapter, 1"
2	5926	PEX Clamp Crimp Ring, 1"
2	5000978	Reducer, 1-1/4" x 1"
1	0020-250	Nipple, 1" x 2"
1	0020-403	Swing Check Valve, 1"
-	5700082	1" Central PEX Tube

\*Additional suggested plumbing components. Circled fittings (shown in side views) are included with furnace.

