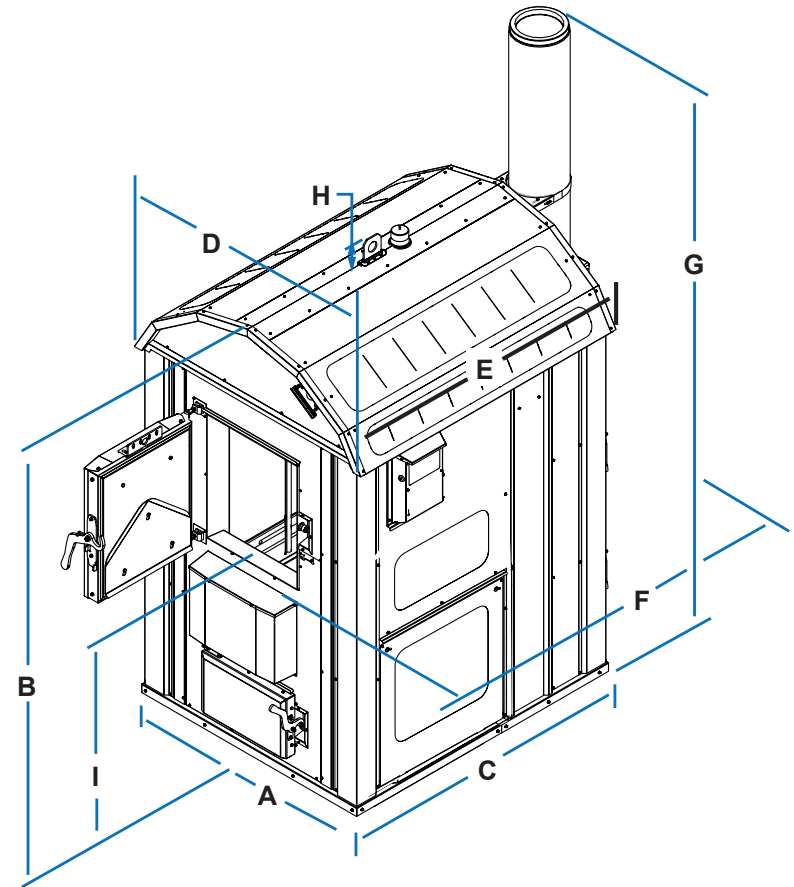
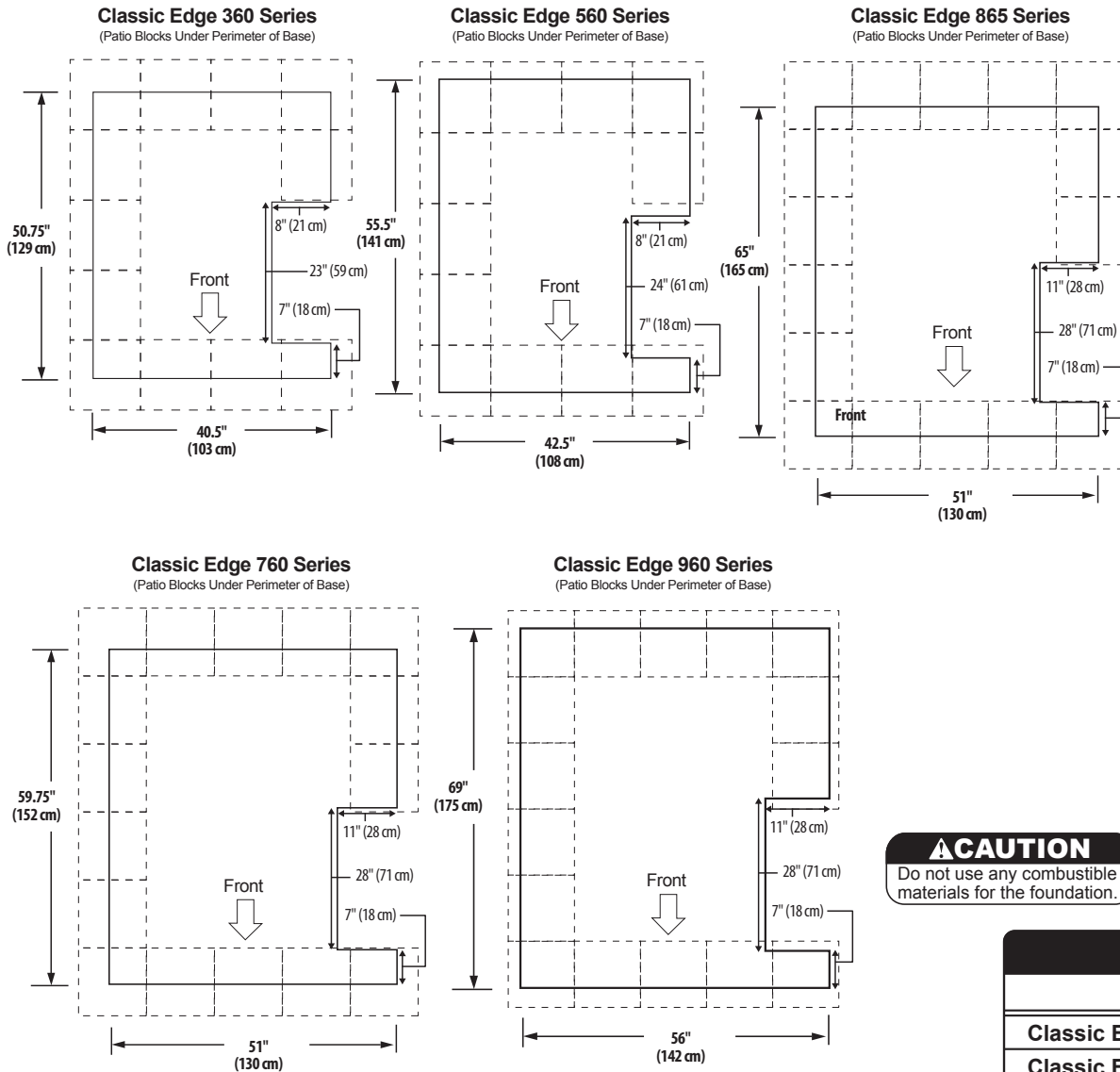


Classic Edge Furnace Base and Dimensions



CAUTION
Do not use any combustible materials for the foundation.

The dashed lines shown represent 12"x12" patio block under the perimeter of the base as an alternative to a concrete foundation.

Outdoor furnace must be installed on a noncombustible surface or foundation that incorporates an enclosure that will prevent supply and return lines from possible exposure to sunlight, fire, or physical damage that may be caused by an occurrence outside the outdoor furnace enclosure. Foundation may consist of patio blocks, crushed rock or concrete.

Classic Edge Measurements									
	A	B	C	D	E	F	G	H	I
Classic Edge 360	40.5"	72"	50.75"	43"	51.5"	69"	150"	5"	38"
Classic Edge 560	42.5"	76"	55.5"	45"	56"	73.5"	151"	5"	37.5"
Classic Edge 760	51"	84.75"	59.75"	53.5"	60.5"	79"	164"	5"	39"
Classic Edge 865	51"	87.5"	64.5"	53.5"	65"	84"	164"	5"	34.75"
Classic Edge 960	56"	87.5"	69"	58.5"	70"	89.5"	163"	5"	39"

- Measurement (F) is from firebox door to chimney inspection cover.
 - Measurement (G) includes two 4 ft. chimney sections.
 - All measurements are approximate